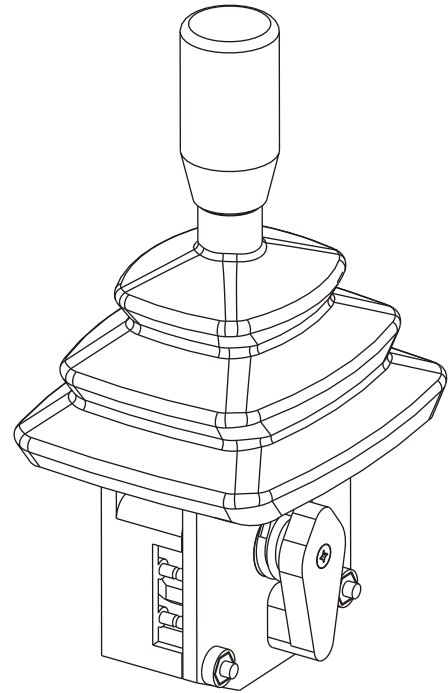
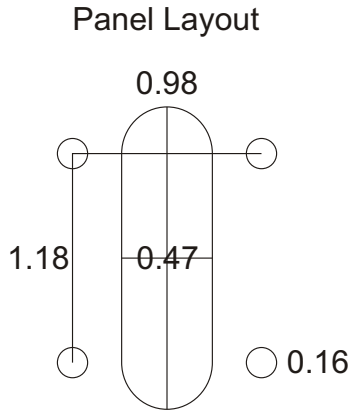


Description: Single analog output joystick. Potentiometric sensor for long life and good noise immunity. Directional switches available as a option.



Mechanical:	Min.	Typ.	Max	Units	Comments
Height		85		mm	Above panel
Length		50		mm	
Width		41		mm	Diameter (above panel)
Mechanical Angle		+/-30		Degrees	X and Y
Mechanical Life		>5		Million	Cycles
Electrical:	Min.	Typ.	Max	Units	Comments
Potentiometer					
Power		1		W	
Resistance		10		Kohms	+/-20%
Linearity		+/-2		%	
Voltage			24	VDC	
Sw itches					
Current			2	A	
Voltage			24	VDC	or 110 VAC
Environmental:	Min.	Typ.	Max	Units	Comments
Operating Temp.	-40		70	°C	
IP Rating		66			Above panel

10 953 Laval Cr. Kamloops BC V2C 5P4
 800 Fifth Ave. # 101-507 Seattle WA 98104
 Ph. (877) 377-1117 Fax (877) 377-4036
www.controlgrips.com