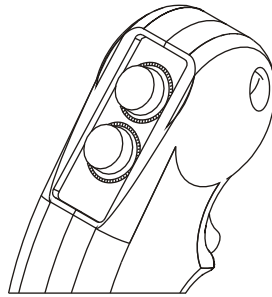
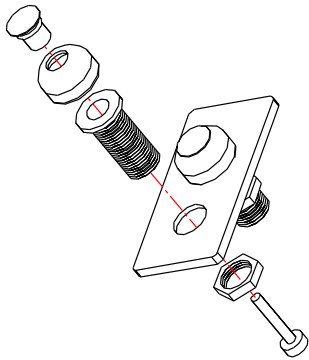


Description: The PB-2PR-A is a Hall Effect voltage output proportional pushbutton module. The unit is a self contained device that can be mounted in most faceplate locations of our L, M, S, O or P grips, or any customer specified panel mount application. Small size, easy mounting and long operating life make the PB-2PR-A assembly an excellent choice for anywhere a pushbutton based variable speed control is needed.



Mechanical:	Min.	Typ.	Max	Units	Comments
Height		9		mm	Above Panel
Length		31		mm	Overall
Diameter		16		mm	At Largest Point
Switch Stroke		4		mm	
Operating Life		>1		Million	Cycles
Electrical:	Min.	Typ.	Max	Units	Comments
Supply Voltage	4.75	5.0	5.25	VDC	
Supply Current		5		mA	
Output Voltage Span	0.5		4.5	VDC	
Environmental:	Min.	Typ.	Max	Units	Comments
Operating Temp.	-25		70	°C	
IP Rating		IP65			Above Panel

10 953 Laval Cr. Kamloops BC V2C 5P4
 800 Fifth Ave. # 101-507 Seattle WA 98104
 Ph. (877) 377-1117 Fax (877) 377-4036
www.controlgrips.com