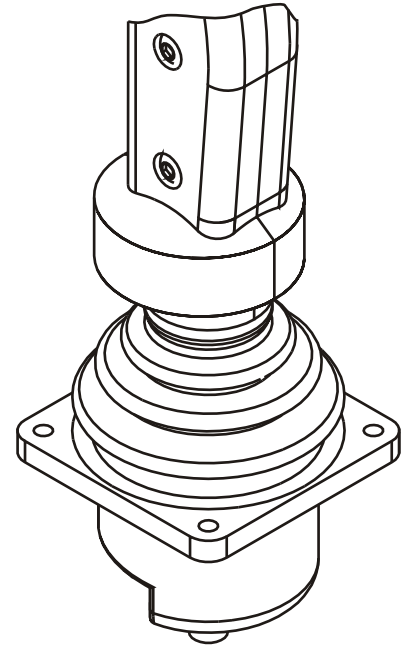
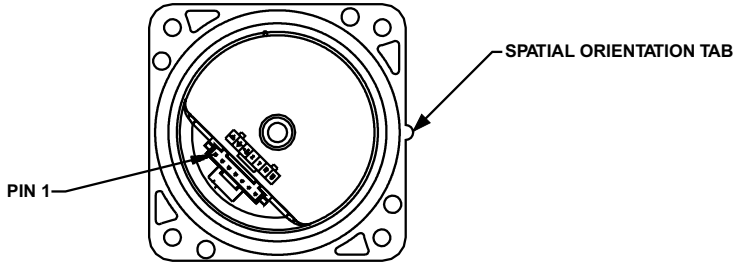


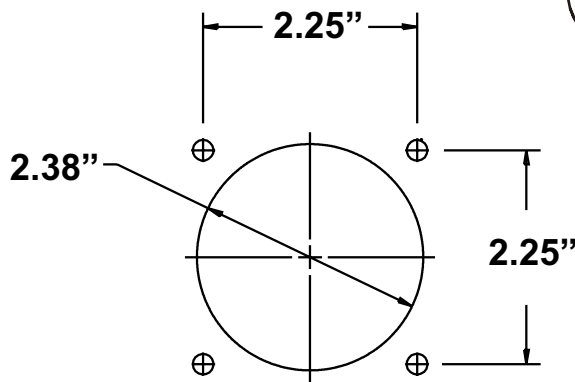
Description: Single or dual axis, analog output joystick. All axes use Hall effect sensors for long life. Can be supplied with a plain knob, or a S, M, L, B, K, or P series grip.



Wiring



Mounting Pattern



Pin 1	Chassis Ground	Green
Pin 2	5VDC Ground	Black
Pin 3	5VDC Power	Red
Pin 4	X Output	White
Pin 5	Y Output	Brown
Pin 6	No Connection	
Pin 7	No Connection	

Mechanical:	Min.	Typ.	Max	Units	Comments
Height		77		mm	Above panel (with plain knob)
Length		64		mm	Diameter (above panel)
Width		64		mm	Diameter (above panel)
Mechanical Angle		+/-20		Degrees	X and Y
Mechanical Life		>4		Million	Cycles
Electrical:	Min.	Typ.	Max	Units	Comments
Supply Voltage	4.5	5.0	5.5	VDC	
Supply Current		15		mA	
Output Voltage	0.5		4.5	VDC	2.5 VDC in neutral position, each axis
Output Current			2	mA	
Environmental:	Min.	Typ.	Max	Units	Comments
Operating Temp.	-40		70	°C	
IP Rating		65			Above panel (with plain knob)

#10 953 Laval Cr. Kamloops BC V2C 5P4
 800 Fifth Ave. #101-507 Seattle WA 98104
 Ph. (877) 377-1117 Fax (877) 377-4036
www.controlgrips.com