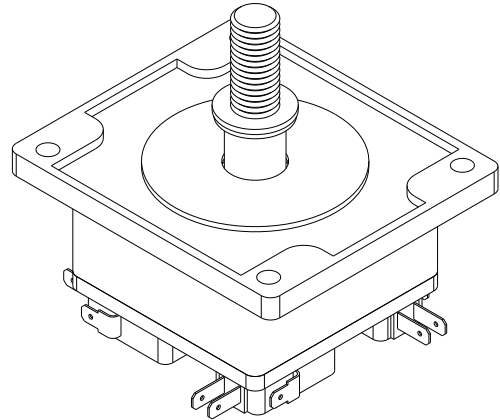
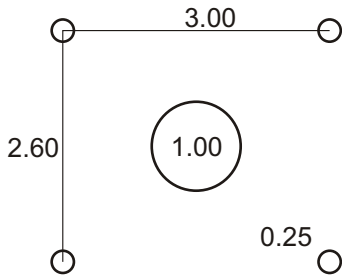


Description: Single or dual axis, switched output joystick.
All axes use snap action switches for long life and low replacement cost. Can be supplied with a plain knob, or a S, M, L, B, K, or P series grip.

Panel Layout Dimensions



Mechanical:	Min.	Typ.	Max	Units	Comments
Height		30		mm	Above panel (no knob)
Length		90		mm	
Width		80		mm	Diameter (above panel)
Mechanical Angle		+/-10		Degrees	X and Y
Mechanical Life		>5		Million	Cycles
Electrical:	Min.	Typ.	Max	Units	Comments
Voltage			24	VDC	or 110 VAC
Current			10	A	per sw itch
Environmental:	Min.	Typ.	Max	Units	Comments
Operating Temp.	-40		70	°C	
IP Rating		40			Above panel (w ith plain knob)

#10 953 Laval Cr. Kamloops BC V2C 5P4
800 Fifth Ave. #101-507 Seattle WA 98104
Ph. (877) 377-1117 Fax (877) 377-4036
www.controlgrips.com