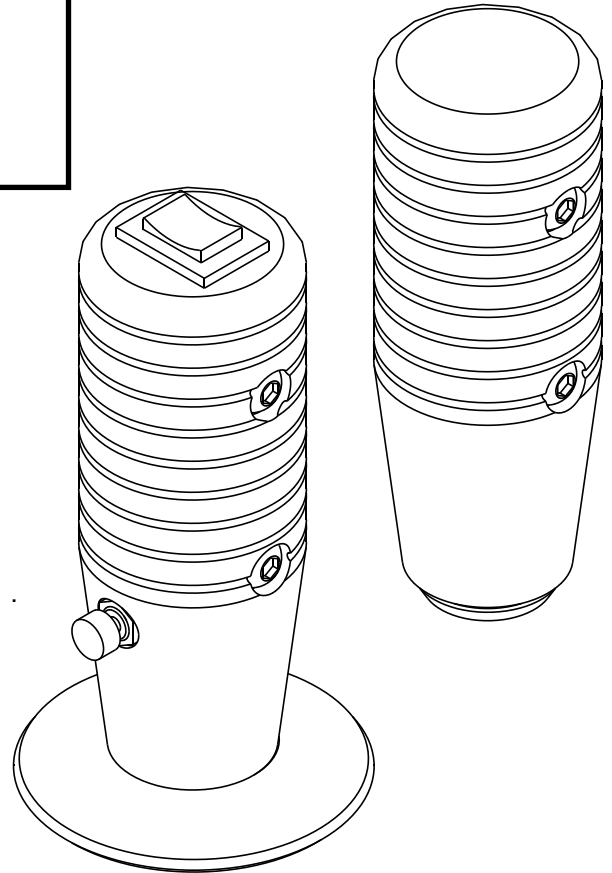


Data Sheet : P Series Grip

Description: A basic post style grip, available as a plain control handle or with up to three switches.

- Available with or without base flange.
- Uses our standard 7/8-14 internal mounting thread
- Many adapter bushings available.
- Finger switch options : none, momentary pushbutton maintained pushbutton.
- Top switch options : none, momentary pushbuttons (1 or 2), maintained pushbuttons (1 or 2), 2 position rocker (momentary or maintained), 3 position rocker (momentary or maintained or momentary/maintained)
- Switch sealing boots available



Mechanical:	Min.	Typ.	Max	Units	Comments
Height		102		mm	Without flange
Diameter		38		mm	Body
Diameter		60		mm	Flange
Mounting		7/8 -14			Female thread (adapter bushings available)
Material		Acetal			
Electrical:	Min.	Typ.	Max	Units	Comments
Rocker					
Voltage		24		VDC	
Voltage		120		VAC	
Current		8		A	
Life		50,000		Cycles	At 1 A load
Pushbutton		24		VDC	
Voltage		120		VAC	
Voltage		3		A	
Current		50,000		Cycles	At 1 A load
Life					
Environmental:	Min.	Typ.	Max	Units	Comments
Operating Temp.	-25		70	°C	
IP Rating		65			With optional switch boots

#10 953 Laval Cr. Kamloops BC V2C 5P4
 800 Fifth Ave. #101-507 Seattle WA 98104
 Ph. (877) 377-1117 Fax (877) 377-4036
www.controlgrips.com