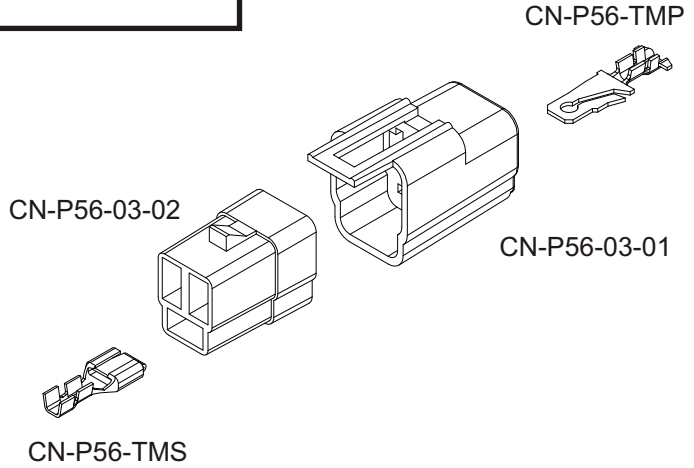


Description: 1 to 8 position, very low cost, unsealed connectors for inline applications. Stocked parts shown in table below, others available. Special crimp tooling is recommended, but not required.

CN-P56-02-01 : 2 Position Housing Male
CN-P56-02-02 : 2 Position Housing Fem.
CN-P56-03-01 : 3 Position Housing Male
CN-P56-03-02 : 3 Position Housing Fem.
CN-P56-04-01 : 4 Position Housing Male
CN-P56-04-02 : 4 Position Housing Fem.
CN-P56-06-01 : 6 Position Housing Male
CN-P56-06-02 : 6 Position Housing Fem.
CN-P56-TMP : Pin Terminal
CN-P56-TMS : Socket Terminal



Mechanical:	Min.	Typ.	Max	Units	Comments
Material					
Housings		6,6 Polyamide			
Terminals		Tin Plated Brass			
Electrical:	Min.	Typ.	Max	Units	Comments
Wire Size	22		10	AWG	
Connector Positions	1		8	Positions	1, 2, 3, 4, 5, 6, 8 Position Available
Operating Voltage			24	VDC	
Current Capacity			20	A	
Environmental:	Min.	Typ.	Max	Units	Comments
Operating Temperature	-40		125	Deg. C	
IP Rating		Unsealed		IP	

#10 953 Laval Cr. Kamloops BC V2C 5P4
 800 Fifth Ave. #101-507 Seattle WA 98104
 Ph. (877) 377-1117 Fax (877) 377-4036
 www.controlgrips.com