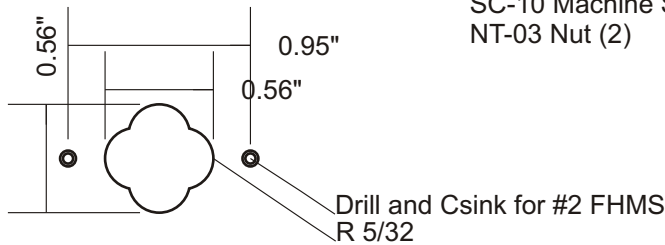
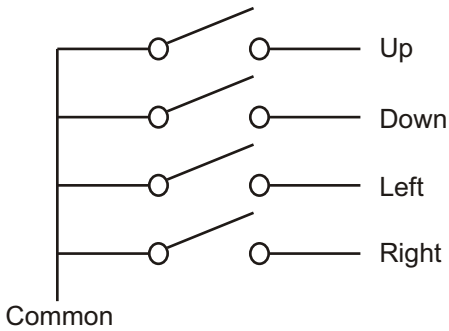
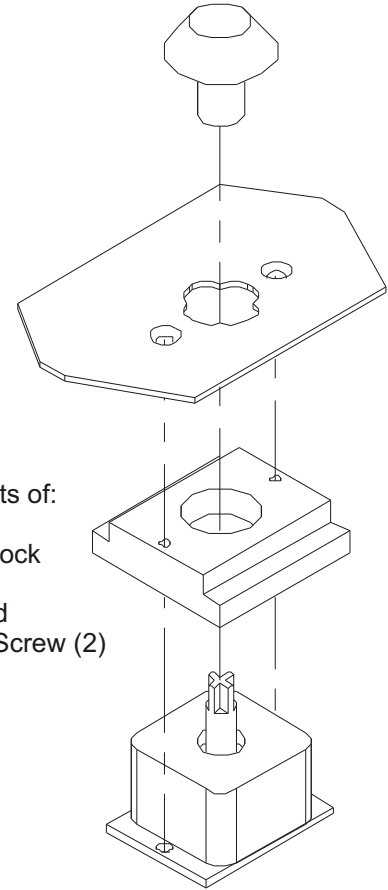


Description: Dual axis, switched output panel mount mini joystick. Designed to mount in the faceplate of many of our grip models (M Series shown), but also available as a separate assembly for customer installation.



Suggested Panel Cutout

- Assembly consists of:
 CP-HS Cap
 SB-HS Switch Block
 SW-HS Switch
 CC-HS PC Board
 SC-10 Machine Screw (2)
 NT-03 Nut (2)



Mechanical:	Min.	Typ.	Max	Units	Comments
Height		12		mm	Above panel
Length		25		mm	
Width		22		mm	
Materials					ABS, Acetal
Electrical:	Min.	Typ.	Max	Units	Comments
Voltage			24	VDC	
			110	VAC	
Current			250	mA	
Environmental:	Min.	Typ.	Max	Units	Comments
Operating Temp.	-40		80	°C	
IP Rating		IP40			Above panel IP54 gasketing available.

#10 953 Laval Cr. Kamloops BC V2C 5P4
 800 Fifth Ave. #101-507 Seattle WA 98104
 Ph. (877) 377-1117 Fax (877) 377-4036
www.controlgrips.com