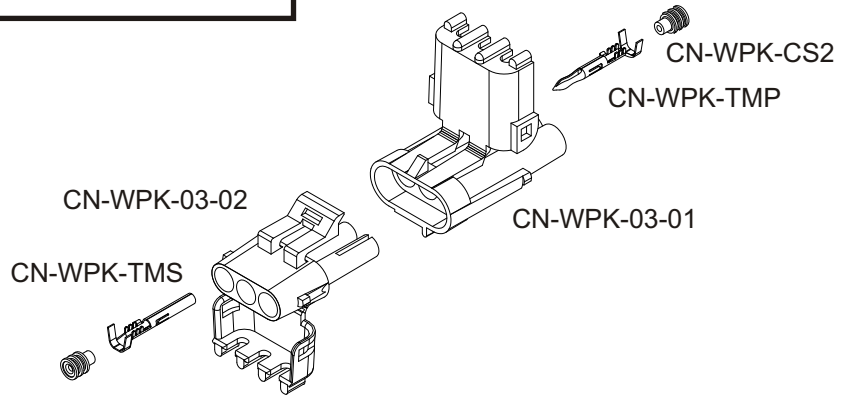


Description: 1 to 22 position, low cost, environmentally sealed connectors for inline and bulkhead applications. Stocked parts shown in table below, others available. Special crimp tooling is recommended, but not required.

CN-WPK-02-01 : 2 Position Housing Male
CN-WPK-02-02 : 2 Position Housing Fem.
CN-WPK-03-01 : 3 Position Housing Male
CN-WPK-03-02 : 3 Position Housing Fem.
CN-WPK-04-01 : 4 Position Housing Male
CN-WPK-04-02 : 4 Position Housing Fem.
CN-WPK-06-01 : 6 Position Housing Male
CN-WPK-06-02 : 6 Position Housing Fem.
CN-WPK-22-01 : 22 Position Housing Male
CN-WPK-22-02 : 22 Position Housing Fem.
CN-WPK-CS2 : Cable Seal 18 ga.
CN-WPK-CS3 : Cable Seal 14 ga.
CN-WPK-CSP : Cavity Seal Plug
CN-WPK-TMP : Pin Terminal
CN-WPK-TMS : Socket Terminal



Mechanical:	Min.	Typ.	Max	Units	Comments
Material					
Seals		Silicone Rubber			
Terminals		Tin Plated Brass			
Housings		6,6 Polyamide			
Electrical:	Min.	Typ.	Max	Units	Comments
Wire Size	22		12	AWG	
Connector Positions	1		22	Positions	1, 2, 3, 4, 6, 22 Position Available
Operating Voltage			24	VDC	
Current Capacity			20	A	
Environmental:	Min.	Typ.	Max	Units	Comments
Operating Temperature	-40		125	Deg. C	
IP Rating		65		IP	

#10 953 Laval Cr. Kamloops BC V2C 5P4
 800 Fifth Ave. #101-507 Seattle WA 98104
 Ph. (877) 377-1117 Fax (877) 377-4036
www.controlgrips.com