

Data Sheet : JS-01, JS-02

Description

The JS-02 is a dual axis spring return to center full size joystick. It uses non contacting Hall effect sensors to give an expected life of more than 4 million cycles. It has an IP rating of 65 above the panel.

The standard output is 0.5V to 2.5V (center) to 4.5V DC. The joystick housing incorporates a 6 pin Deutsch connector for the electrical connection.

The JS-02 comes stock with a plain knob, but any of our L, X, S, P, or K series grips can be mounted on this joystick.

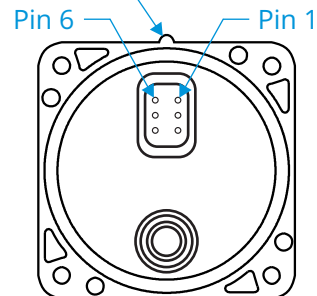


Features

- Integrated weatherproof connector
- Reliable Hall effect sensors
- Compact size
- Protective rubber boot
- Plain knob or optional control grip
- Optional aluminum mounting plate
- Single or dual axis

Spatial Orientation Tab

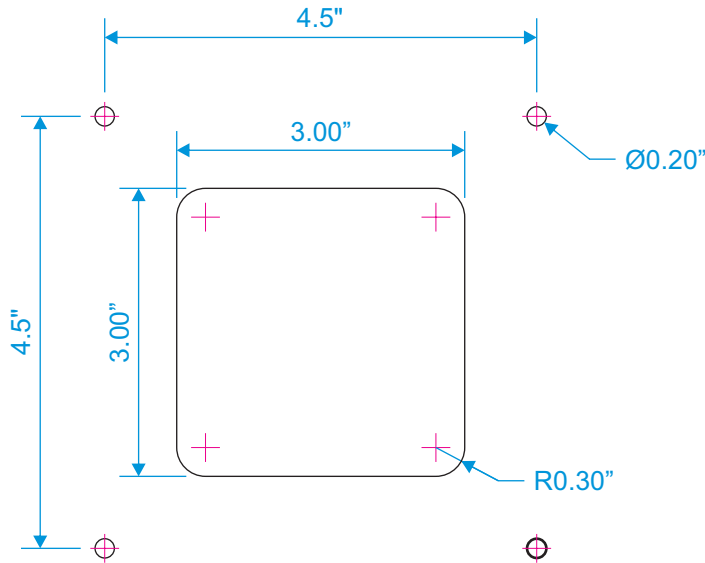
Pin 1	5VDC Ground	Black
Pin 2	5VDC Power	Red
Pin 3	X-axis Output	White
Pin 4	Y-axis Output	Brown
Pin 5	No Connection	
Pin 6	No Connection	



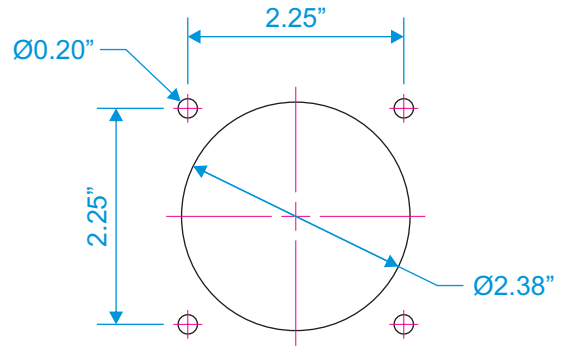
Specifications:

Dimensions:	5.8 x 2.8 x 2.8 inches (plain knob version)
Deflection Angle:	+/- 20 degrees on axis, +/- 24 degrees in corners
Mechanical Life:	>4 million cycles
Supply Voltage:	5.0 +/- 0.5 VDC
Max Current Draw:	15mA (base only, dual axis)
Output Signal:	50% +/- 2% of supply at neutral position (~2.5V) 92% +/- 4% of supply at maximum displacement (~4.5V) 8% +/- 4% of supply at minimum displacement (~0.5V) 2mA maximum output current
Operating Temp:	-40°C to +70°C
IP Rating:	IP65 (with plain knob and panel mounted)

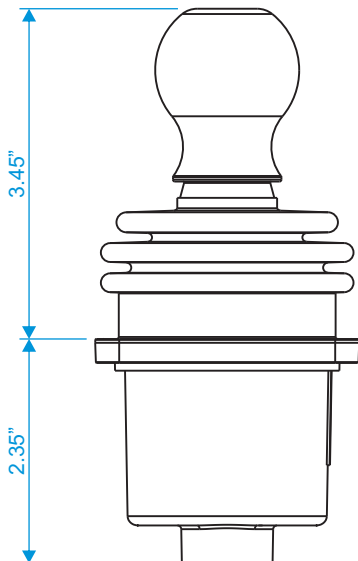
DS-JS-01,02-R4



Panel Mounting Dimensions
(using optional mounting plate)



Panel Mounting Dimensions
(bottom mount, no mounting plate)



Overall Dimensions
(without mounting plate)

