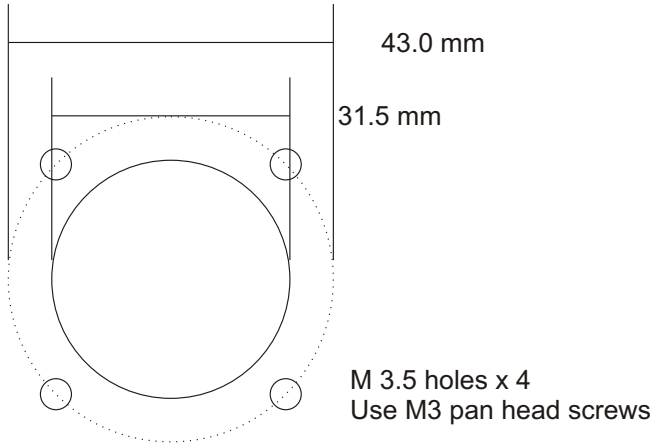
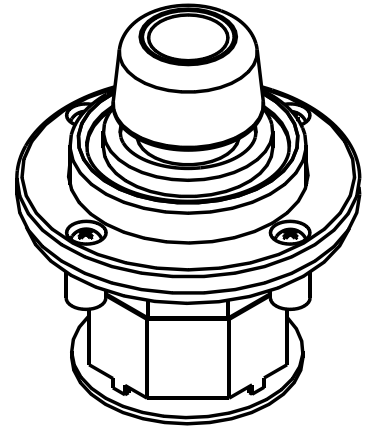


Description: Triple axis, analog output mini joystick. All axes use Hall effect sensors for long life. Single and dual axis versions available as a special order item.



Panel Cutout

Mating connector: Molex 51021-0800

Pinout:

- Pin 1 Red +5 VDC
- Pin 2 White X axis o/p 1
- Pin 3 White X axis o/p 2
- Pin 4 White Y axis o/p 1
- Pin 5 White Y axis o/p 2
- Pin 6 White Z axis o/p 1
- Pin 7 White Z axis o/p 2
- Pin 8 Black 0 VDC

Mechanical:	Min.	Typ.	Max	Units	Comments
Height		27		mm	Above panel
Length		51		mm	Diameter
Width		51		mm	Diameter
Mechanical Angle		+/-12		Degrees	X and Y
Mechanical Angle		+/-30		Degrees	Z
Mechanical Life		>1		Million	Cycles
Electrical:	Min.	Typ.	Max	Units	Comments
Supply Voltage	4.5	5.0	5.5	VDC	
Supply Current		6		mA	Per axis
Output Voltage	0.5		4.5	VDC	2.5 VDC in neutral position, each axis
Linearity		+/-3		%	
Load Resistance	10K	100K		Ohms	
Environmental:	Min.	Typ.	Max	Units	Comments
Operating Temp.	-20		60	°C	
IP Rating		IP54			Above panel

#10 953 Laval Cr. Kamloops BC V2C 5P4
 800 Fifth Ave. #101-507 Seattle WA 98104
 Ph. (877) 377-1117 Fax (877) 377-4036
www.controlgrips.com