

Data Sheet : F Series

Description

The "F" Series is intended to replicate the type of controls often found in forestry equipment. There are left and right hand specific versions, 4 momentary buttons, and a 2 way rocker that can be configured as either on/off or proportional. Standard electronics require a 5V supply and output low current 5V signals, but high current electronics are also available. The F Series can include an optional padded hand rest and uses any of our wide array of mounting adapters.

Features

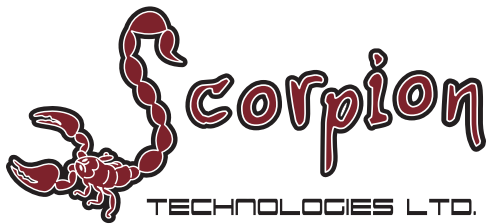
- Left Hand & Right Hand Versions
- On/Off or Proportional
- 5V & 10-30V Versions
- Optional Hand Rest
- Uses Standard Scorpion Mounting Adapters
- Push Buttons have Screw Terminals for Easy Field Replacement



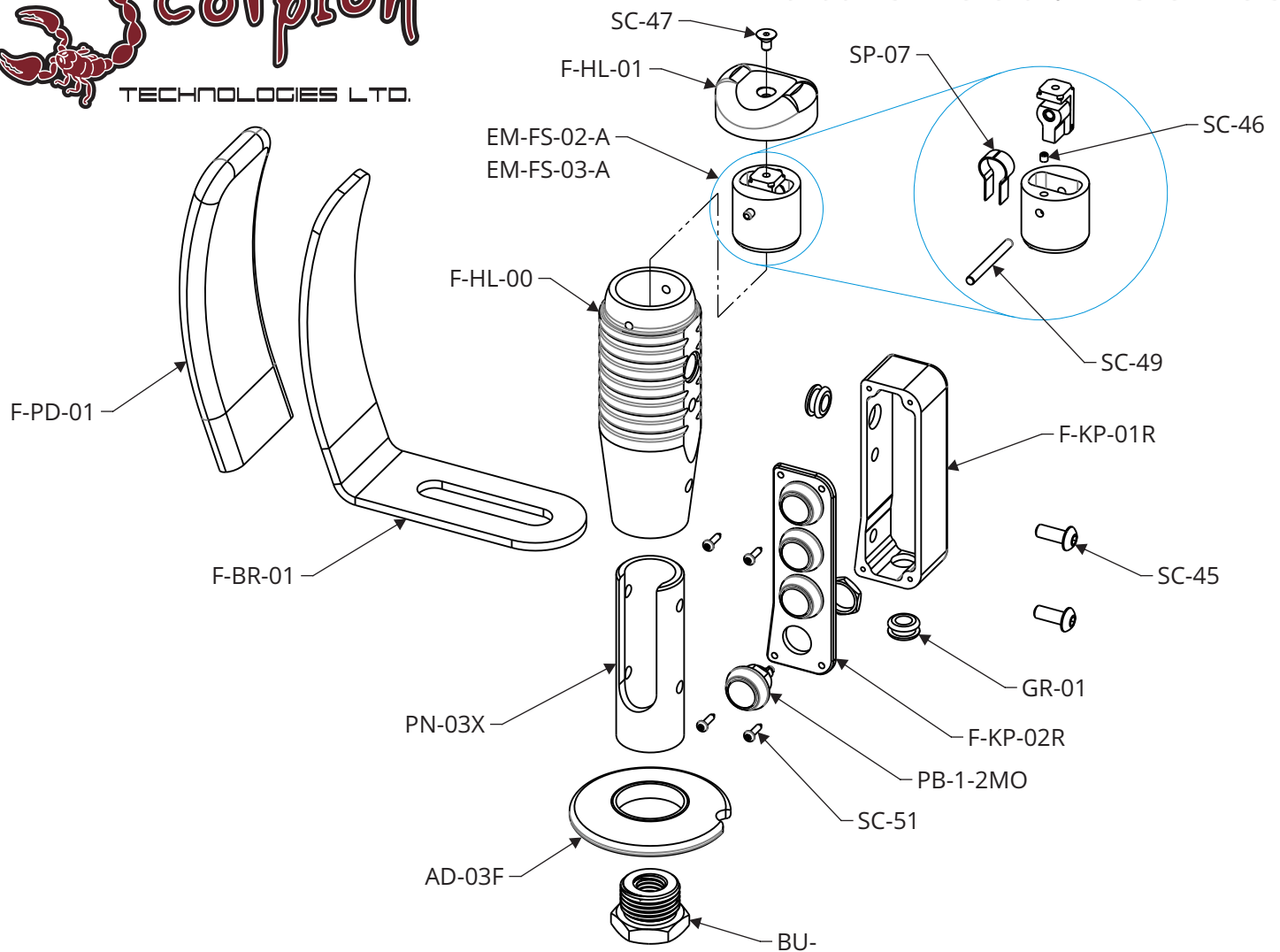
Specifications:

Dimensions:	4.9 x 2.4 x 2.9 inches (without hand rest)
Materials:	Case: black acetal; mounting pin: aluminum
Mounting:	7/8 - 14 female, many adapter bushings available
Push Buttons:	Push button switches 2 Amp @ 36VDC, (resistive)
Rocker Switch	
5V Version:	Uses EM-FS-03-A module, requires a 5V supply Has both 5V digital outputs for left and right as well as a 0.5V - 4.5V analog output
10-30V Version:	Uses EM-FS-02-A module and includes a separate driver board in-line on the harness The driver board must be configured for either on/off or analog outputs
Wire:	20AWG, 19 strand, PVC jacket, 10 feet standard length. Other lengths, gauges and types are available

DS-F Series-R0



Data Sheet : F Series



Replacement Part List, Standard Handles

AD-03F	Flange adapter, F Series
BU-__	Mounting adapter (size varies by application)
EM-FS-02/03-A	Output module, universal and standard 5V versions
F-BR-01	Bracket, F hand rest
F-HL-00	Handle case, F
F-HL-01	Actuator, F rocker
F-KP-01L/R	Enclosure, keypad F 4 button left/right
F-KP-02L/R	Lid, keypad F 4 button left/right
F-PD-01	Padded cover for hand rest
GR-01	Grommet
PB-1-2MO	Switch, pushbutton, momentary green F
PN-03X	Mounting pin
SC-45	Screw, cap #10-32 x 1/2" button socket black
SC-46	Screw, set #4-40 x 1/8" socket cup
SC-47	Screw, machine #6-32 x 1/4" flat socket
SC-49	Pin, dowel 1/8" x 1-1/4"
SC-51	Screw, tapping #2 x 3/8" pan Phillips black
SP-07	Spring, flat 0.02" x 0.237"

DS-F Series-R0