

Description

Single or dual axis, switched output joystick. All axes use snap action switches for long life and low replacement cost. Can be supplied with a plain knob, or a S, X, L, K, or P series grip. Includes a protective rubber boot. Can be supplied with an optional aluminum mounting plate for top of panel installations.

Features

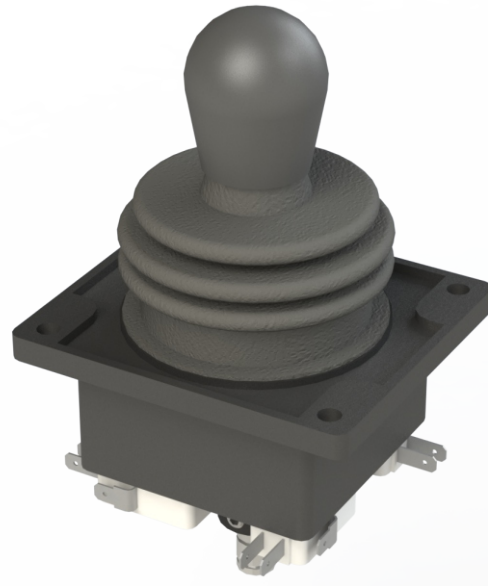
- Long life snap action switches
- Protective rubber boot
- Plain knob or optional control grip
- Optional single axis or cross gates
- Optional aluminum mounting plate

Part Numbers

Base Part Number: **JS-04-BT**

For additional features, add the following to the part number:

-CGR	Control Grip Ready, adds mounting adapter and anti-rotation feature
-GT	Gate, single axis
-GT2	Gate, cross-gate
-MP	Mounting plate, black anodized aluminum



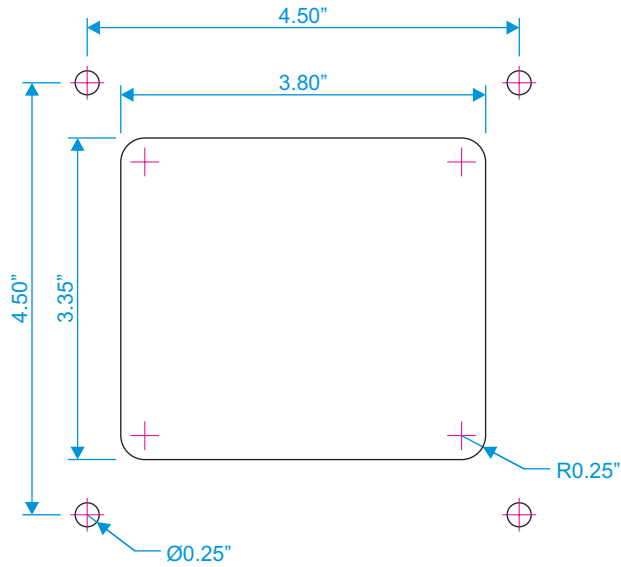
JS-04-BT



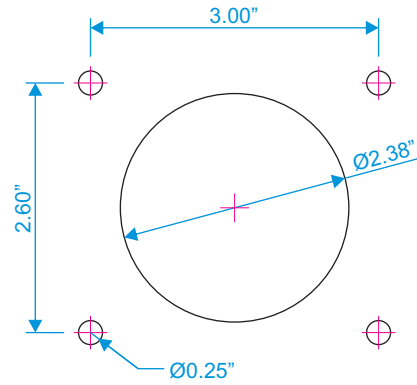
JS-04-BT-CGR

Specifications:

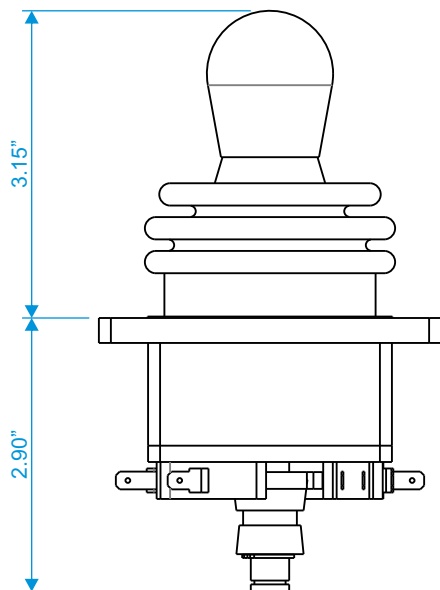
Dimensions:	3.6 x 3.15 x 6.0 inches
Deflection Angle:	+/-10 degrees
Mechanical Life:	>5 million cycles
Electrical Rating:	Standard switches 10 Amp @ 24 VDC, 110VAC (resistive)
Electrical Life:	>1 million cycles (depending on current)
Operating Temp:	-40 to +70 °C
Wire:	20AWG, 19 strand, PVC jacket, 4 feet standard length. Other lengths, gauges and types are available



Panel Mounting Dimensions
(with optional mounting plate)



Panel Mounting Dimensions
(without mounting plate)



Overall Dimensions
(without mounting plate)

