

Description

Single axis potentiometric joystick. Available in many different configurations, including spring return to center, friction lock, center or end detents. The JS-8000 comes standard with a 10k pot and 10A directional switches. Other options include a center lift lock and a variety of different integrated control electronics.. Any of our L, X, S, P, or K series grips can be mounted on this joystick.

Features

- Spring return to center or friction held
- Center or end detent for friction version
- Center lift lock option
- Directional switches with adjustable cams
- Mounting plate included
- Integrated electronics available

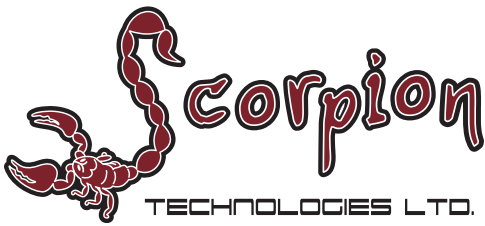
Part Numbers

JS-8101	Friction lock, center detent, 10k potentiometer, directional switches
JS-8201	Spring return to center, 10k potentiometer, directional switches
JS-8xxx	Consult factory for part numbers of additional configurations

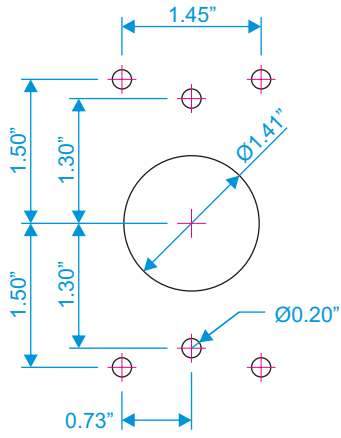


Specifications:

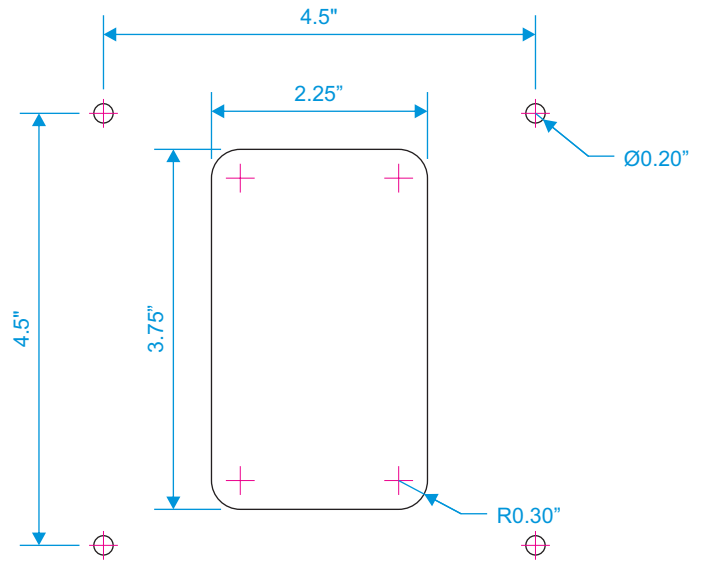
Dimensions:	7.7 x 3.5 x 2.2 inches (standard knob, excluding mounting plate)
Deflection Angle:	+/- 30 degrees
Mechanical Life:	>1 million cycles
Supply Voltage:	10-30 VDC
Resistance:	10,000 Ohms, +/-10% (potentiometer output)
Power Rating:	0.25W
Center Tap Voltage:	48-54% of supply voltage
Directional Switches:	10A @ 24VDC, 120VAC (resistive)
Optional Electronics:	PWM, +/-10V, 0-20mA, 4-20mA, 10-90% analog with enable signal (for PVG/PVEH)
Operating Temp:	-25°C to +70°C
IP Rating:	IP65 (with plain knob above panel)



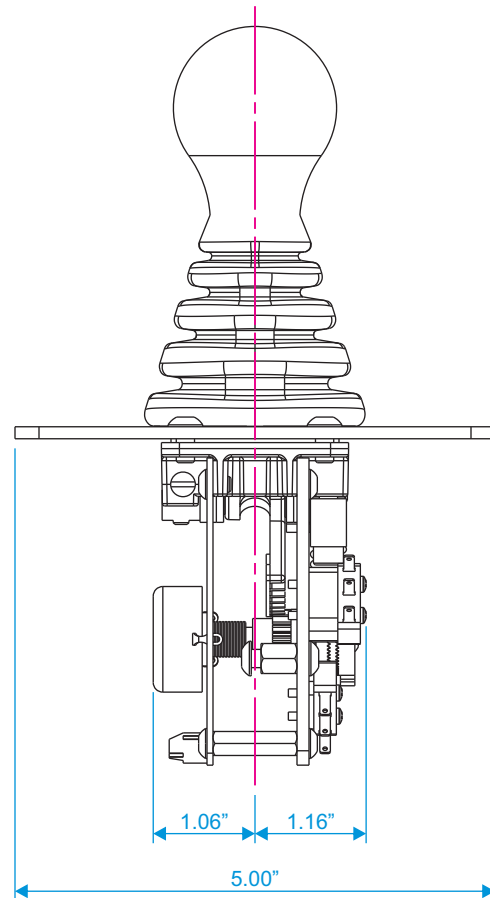
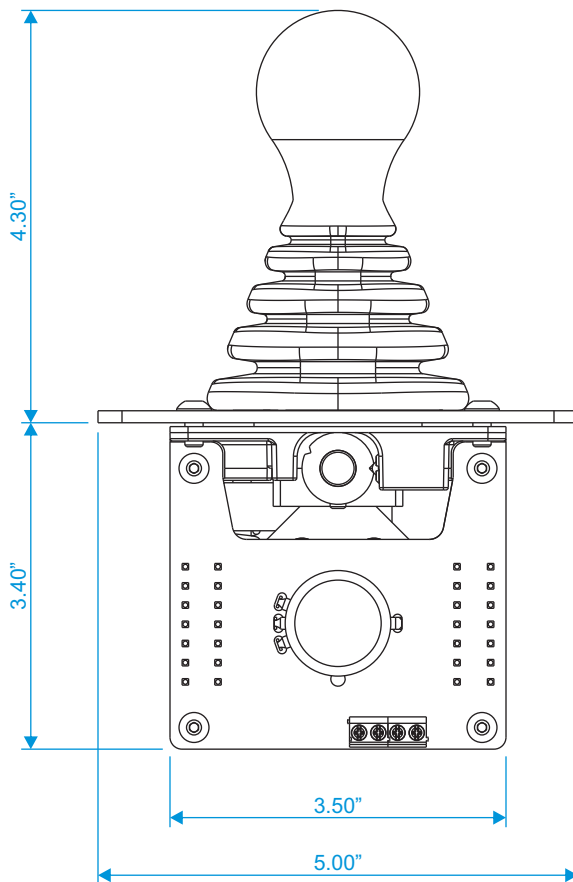
Data Sheet : JS-8000



Panel Mounting Dimensions
(without mounting plate)



Panel Mounting Dimensions
(using provided mounting plate)



Overall Dimensions
(with mounting plate)

DS-JS-8000-R3