

Data Sheet : L Series

Description

The "L" Series is our largest joystick mountable grip. Typically used for both OEM and replacement applications in heavy mobile equipment, the "L" series control handle is available in stock configurations with up to 10 momentary functions.

The stock faceplate comes with 0, 2, 4, 6 or 8 momentary pushbuttons, and the trigger can have 0, 1 (pull) or 2 (push/pull) momentary functions. Like our other grips, all momentary functions use snap action microswitches rated for over 1 million cycles at 1 Amp.

The "L" Series is highly customizable and many more options are available. Please contact the factory for additional details.

Features

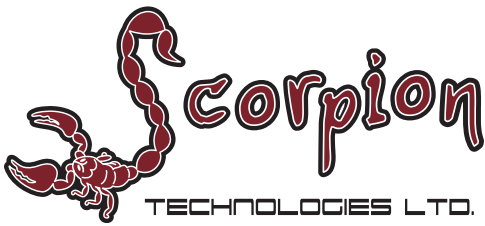
- Single and Double Triggers available
- Up to 8 Momentary Buttons
- Long Life Snap Action Switches
- Field Replaceable Switches
- Tough ABS Case
- Aluminum Mounting Pin
- High Flex Wire



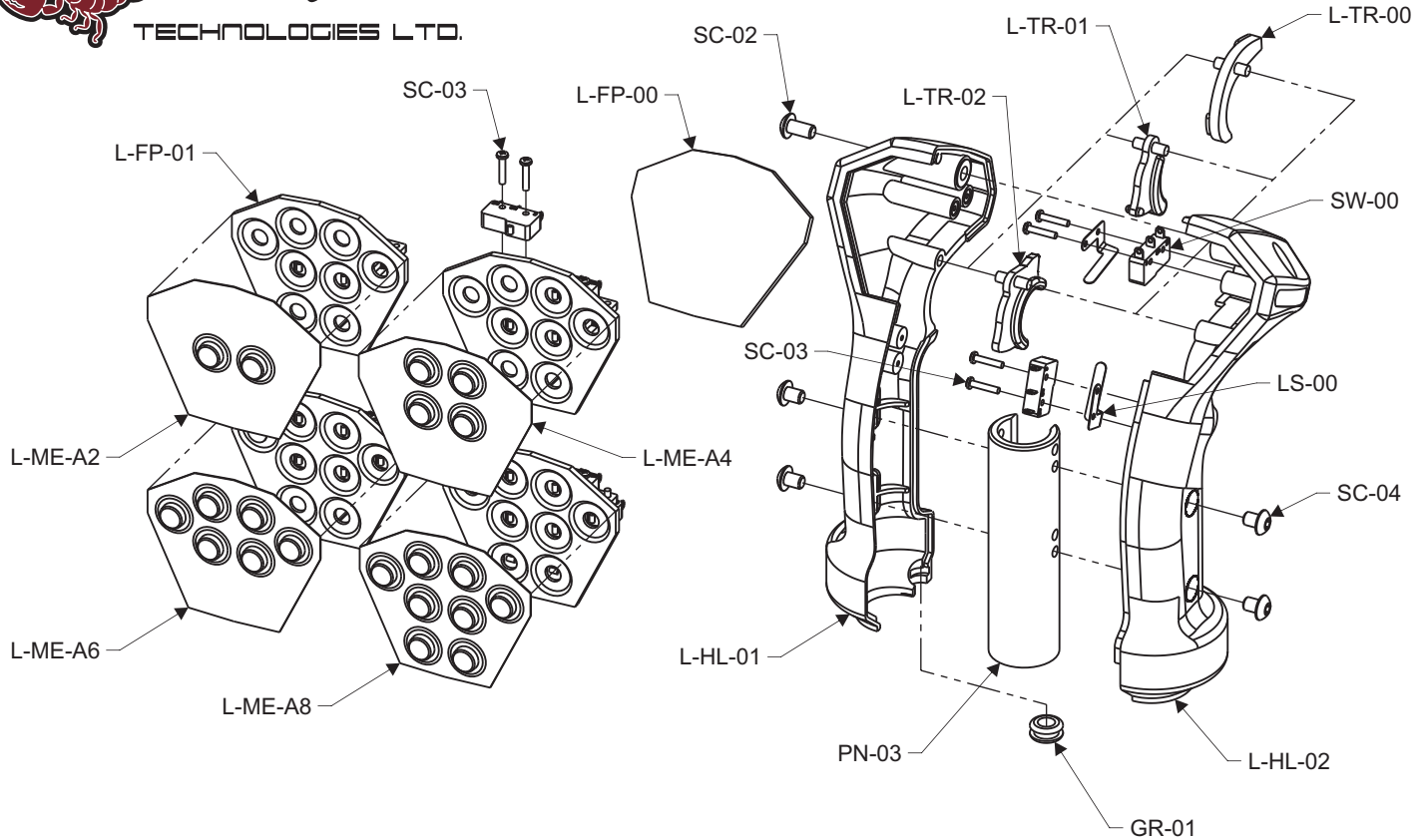
Specifications:

Dimensions:	7.0 x 3.0 x 3.9 inches
Materials:	Case: grey or black ABS; Mounting pin: aluminum
Mounting:	7/8 - 14 female, many adapter bushings available
Graphic Overlay:	Silkscreen printed polyester overlays in grey or black; custom options also available
Triggers:	No trigger, single momentary, single maintained, or double (push/pull) momentary
Faceplate:	Blank, 2, 4, 6, or 8 momentary buttons standard. Many custom options available: LEDS, maintained push buttons, toggle switches, rotary switches, rocker switches as well as proportional controls including potentiometers, rollers, and thumb sticks.
Wire:	20AWG, 19 strand, PVC jacket, 10 feet standard length. Other lengths, gauges and types are available
Electrical:	Standard switches 5 Amp @ 24 VDC, 120VAC (resistive)

DS-L-Series-R0



Data Sheet : L Series



Replacement Part List, Standard Handles

GR-01	Wire Grommet
L-FP-00	Blank Faceplate
L-FP-01	Empty Faceplate
L-FP-A2	2 Button Faceplate Assembly
L-FP-A4	4 Button Faceplate Assembly
L-FP-A6	6 Button Faceplate Assembly
L-FP-A8	8 Button Faceplate Assembly
L-HL-01	Handle Case, Left
L-HL-02	Handle Case, Right
L-ME-A2	2 Button Overlay
L-ME-A4	4 Button Overlay
L-ME-A6	6 Button Overlay
L-ME-A8	8 Button Overlay
L-TR-00	Blank Trigger
L-TR-01	Single Trigger
L-TR-02	Double Trigger
LS-00	Leaf Spring
PN-03	Mounting Pin
SC-02	Button Cap Screw, #10-32 x 3/8"
SC-03	Pan Head Tapping Screw, #2 x 7/16"
SC-04	Button Cap Screw, #10-32 x 1/4"
SW-00	Micro Switch

DS-L-Series-R0