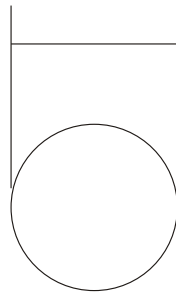
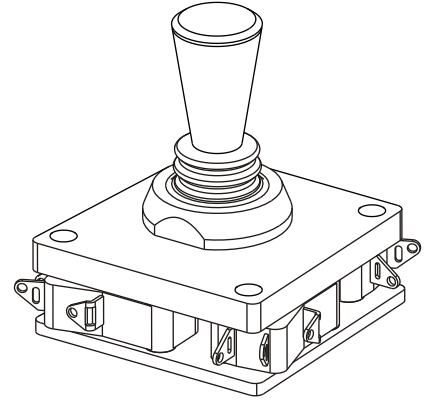


Description: Dual axis, switched output joystick. Features single or dual pole switch arrangements. Can be gated for single axis operation. Can also be gated for dual axis "cross" operation, or left ungated.



22.0 mm

Panel Cutout

Mechanical:	Min.	Typ.	Max	Units	Comments
Height		41		mm	Above panel
Length		47		mm	
Width		47		mm	
Mechanical Angle		+/-12		Degrees	
Mechanical Life		>5		Million	Cycles
Electrical:	Min.	Typ.	Max	Units	Comments
Switches					Field replaceable
Current Rating			5	A	
Voltage Rating			240	VAC	
Voltage Rating			24	VDC	
Activation Point		+/-12		Degrees	
Electrical Life		1		Million	Cycles
Environmental:	Min.	Typ.	Max	Units	Comments
Operating Temp.	-25		70	°C	
IP Rating		IP66			Above panel

10 953 Laval Cr. Kamloops BC V2C 5P4
 800 Fifth Ave. # 101-507 Seattle WA 98104
 Ph. (877) 377-1117 Fax (877) 377-4036
www.controlgrips.com