

# Data Sheet : S Series

## Description

The "S" Series control grip is our simplest, lowest cost full size grip. This compact grip can be supplied with a blank faceplate, 1 or 2 momentary pushbuttons. We can also install maintained pushbutton switches, maintained or momentary toggles, maintained or momentary rockers or even a 4 way "hat" style switch. Proportional switches can be installed, including 1 or 2 proportional pushbuttons or a proportional rocker. LEDs in your choice of colors are also available. A single (pull) momentary trigger is standard, but the unit can also be ordered with no trigger or a maintained trigger. Many other options are available, including a lever type operator presence switch. Consult the factory for additional details.

## Features

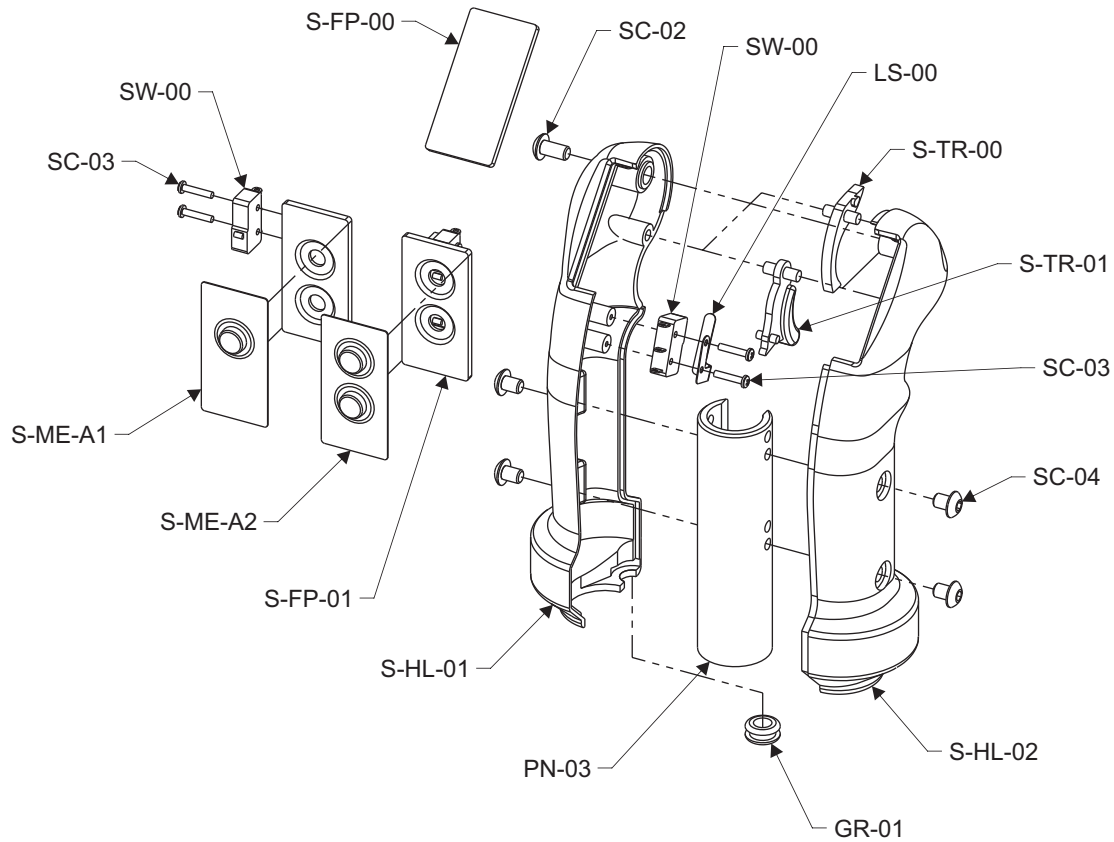
- Single Momentary or Maintained Trigger
- 1 or 2 Momentary Buttons
- Long Life Snap Action Switches
- Field Replaceable Switches
- Tough ABS Case
- Aluminum Mounting Pin
- High Flex Wire



## Specifications:

Dimensions:	6.5 x 2.0 x 2.9 inches
Materials:	Case: grey or black ABS; Mounting pin: aluminum
Mounting:	7/8 - 14 female, many adapter bushings available
Graphic Overlay:	Silkscreen printed polyester overlays in grey or black; custom options also available
Triggers:	No trigger, single momentary, or single maintained
Faceplate:	Blank, 1, or 2 momentary buttons standard. Many custom options available: LEDs, maintained push buttons, toggle switches, rotary switches, rocker switches as well as proportional controls including potentiometers, rollers, and thumb sticks.
Wire:	20AWG, 19 strand, PVC jacket, 10 feet standard length. Other lengths, gauges and types are available
Electrical:	Standard switches 5 Amp @ 24 VDC, 120VAC (resistive)

DS-S-Series-R0



## Replacement Part List, Standard Handles

GR-01	Wire Grommet
LS-00	Leaf Spring
PN-03	Mounting Pin
SC-02	Button Cap Screw, #10-32 x 3/8"
SC-03	Pan Head Tapping Screw, #2 x 7/16"
SC-04	Button Cap Screw, #10-32 x 1/4"
S-FP-00	Blank Faceplate
S-FP-01	Empty Faceplate
S-FP-A1	1 Button Faceplate Assembly
S-FP-A2	2 Button Faceplate Assembly
S-HL-01	Handle Case, Left
S-HL-02	Handle Case, Right
S-ME-A1	1 Button Overlay
S-ME-A2	2 Button Overlay
S-TR-00	No Trigger Insert
S-TR-01	Single Trigger
SW-00	Micro Switch