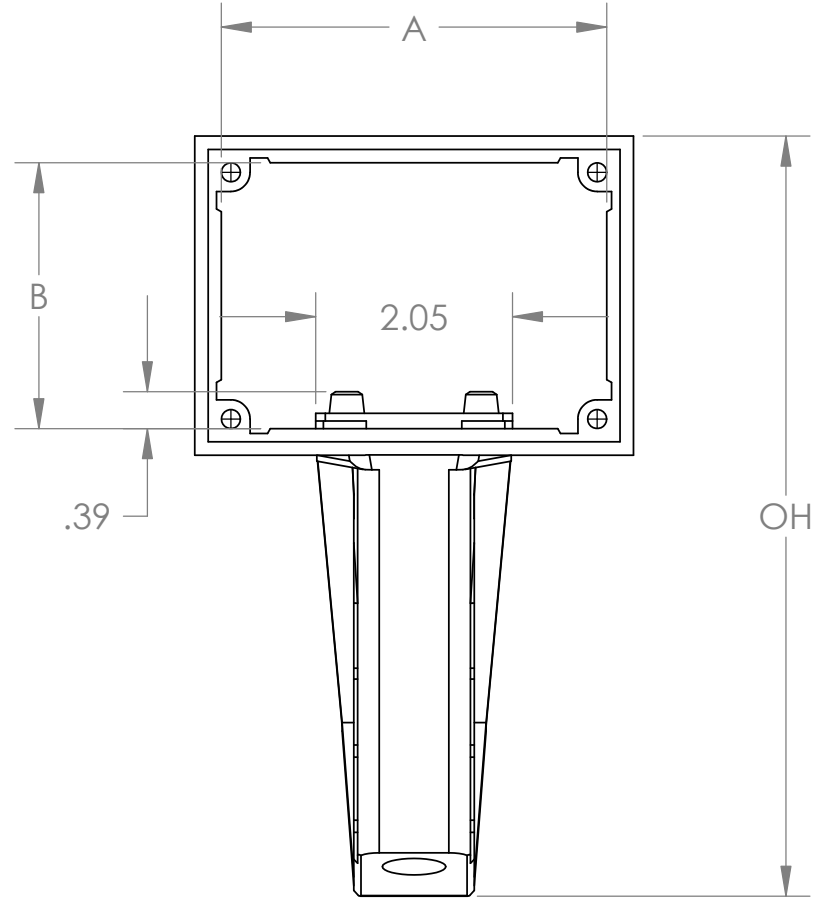


"Medium" O Series shown



*Note: The dimension "C" is the internal depth from the back of the faceplate.

| Dimension | Small | Medium | Large |
|---------------------|-------|--------|-------|
| Overall Height (OH) | 7.9 | 7.9 | 8.7 |
| Height (H) | 3.4 | 3.4 | 4.2 |
| Width (W) | 3.4 | 4.6 | 6.3 |
| Depth (D) | 3.4 | 3.4 | 3.4 |
| A | 2.75 | 4.0 | 5.75 |
| B | 2.75 | 2.75 | 3.60 |
| C* (Internal Depth) | 2.60 | 2.60 | 2.60 |

DIMENSIONS ARE IN INCHES
TOLERANCES:
ANGULAR: ± 1.0°
TWO PLACE DECIMAL: ±0.01
THREE PLACE DECIMAL: ±0.002

MATERIAL

FINISH

TITLE:

O Series Dimensions

NAME

DATE

DRAWN BY:

TM

09/17/08

CHECKED BY:

DWG. NO.



O-Series

REV

SCALE: 1:2

SHEET 1 OF 1